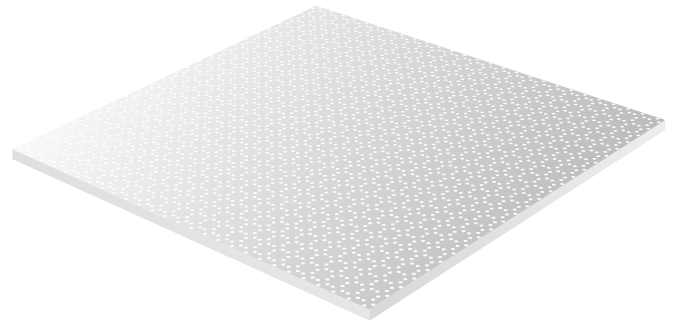


Acrylic sheet

LLS-1250 X 2800-G1



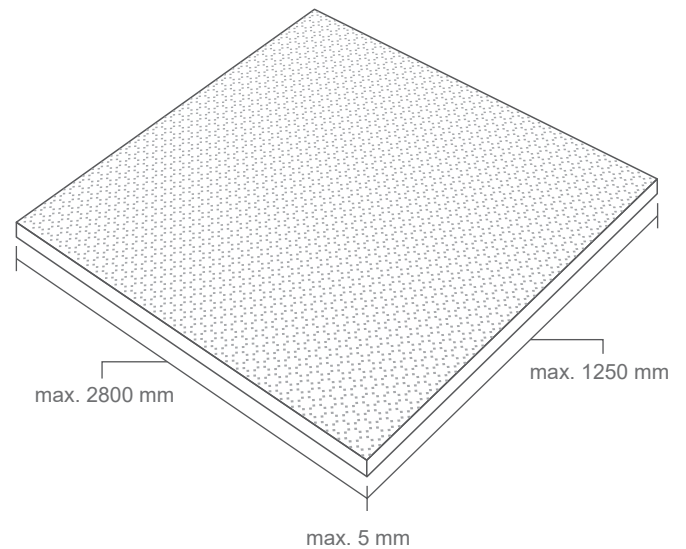
Material

Polymethyl Methacrylate (PMMA), furnished as pellets

Flame class HB

Technical drawing

Dimensions 2800 x 1250 x 5 mm



Acrylic sheet

Specification	Test method	Unit	70HD
Melt flow index	D138	g/10min	1.0
Tensile strength	D638	kg/cm ²	740
Tensile elongation	D638	%	6
Flexular modulus	D790	kg/cm ²	34
Flexular strength	D790	kg/cm ²	1200
Izod impact strength (notched)	D256	kg* cm/cm	1.8
Rockwell Hardness	D785	M Scale	98
Heat distortion temperature	D648	°C	95
Specific gravity	D792	-	1.19
Light transmission	D1003	%	93
Haze	D1003	%	0.1

Packing

Dimensions 2800 x 1250 x 250 mm

Units per pack 50 pcs

