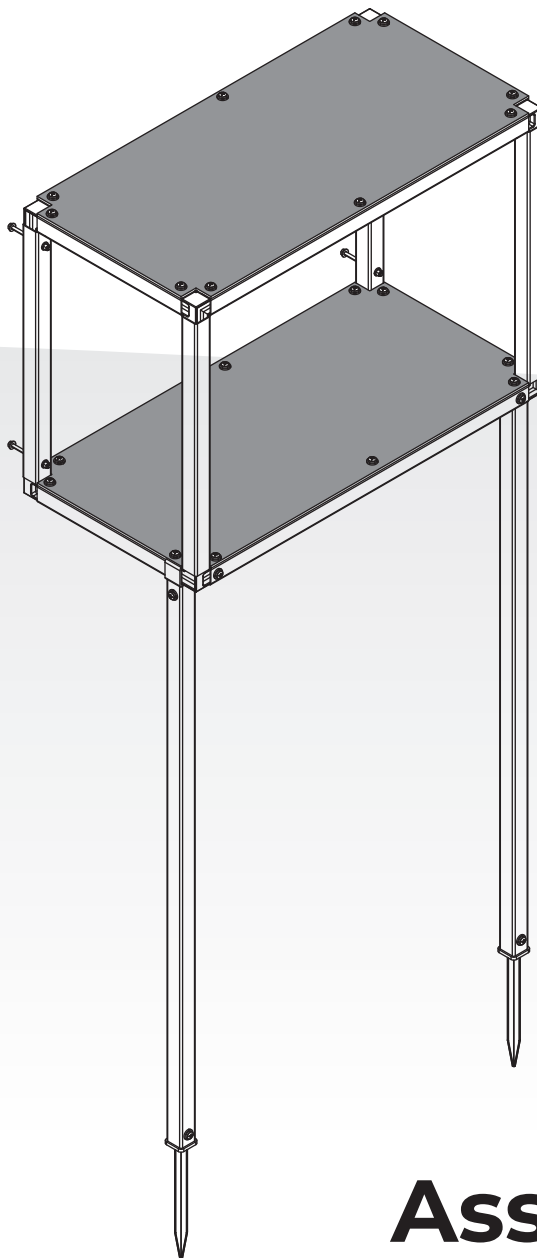
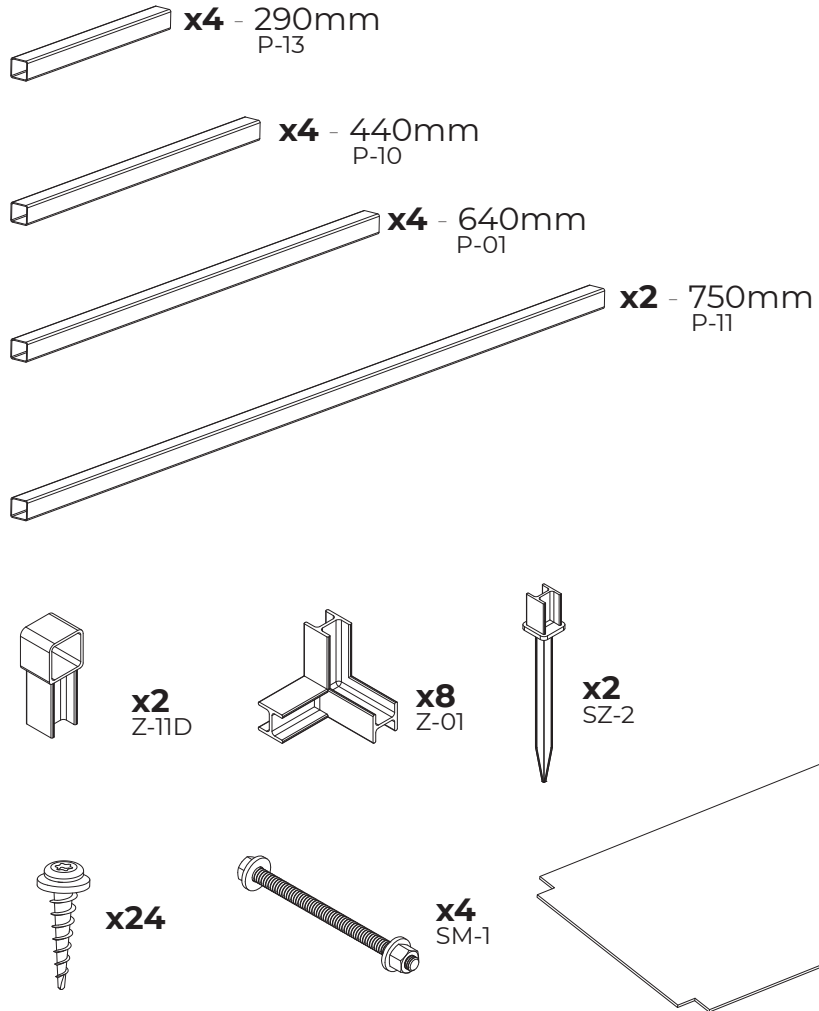


BOOKCASE



Assembly manual

List of elements

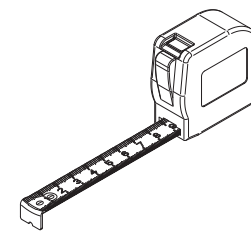


CHECK WHETHER THE PACKAGING INCLUDES ALL THE ELEMENTS.
We recommend elements sorting before their assembly. This will facilitate assembly works.

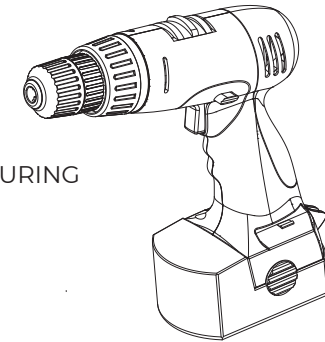
Tools



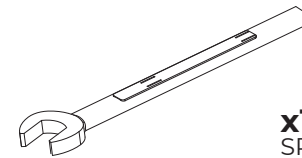
The DIY assembly bookcase lacks some tools.
Provide necessary tools before starting work.



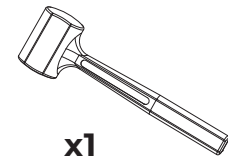
x1
MEASURING
TAPE



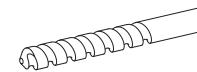
x1
DRILL DRIVER



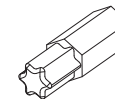
x1
SPANNER 10



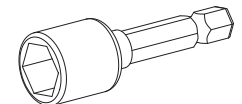
x1
RUBBER
HAMMER



x1
6mm DRILL

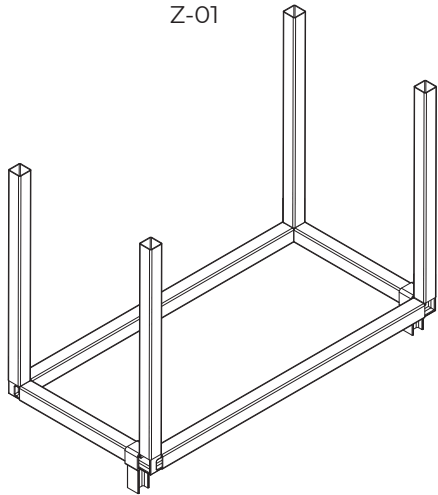
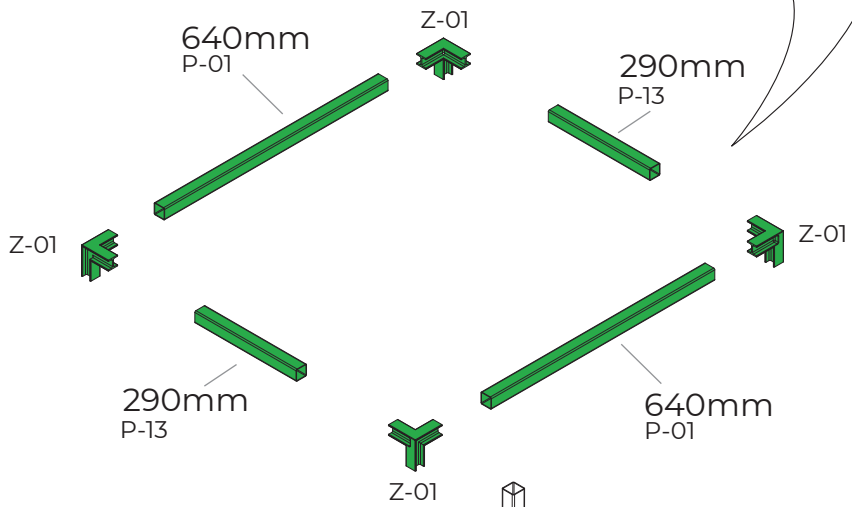
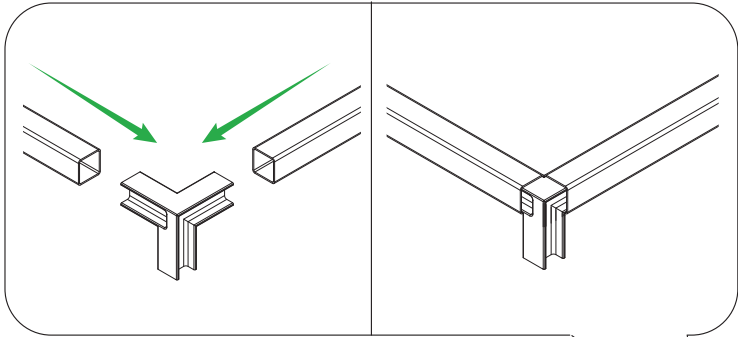


x1
BIT TORX

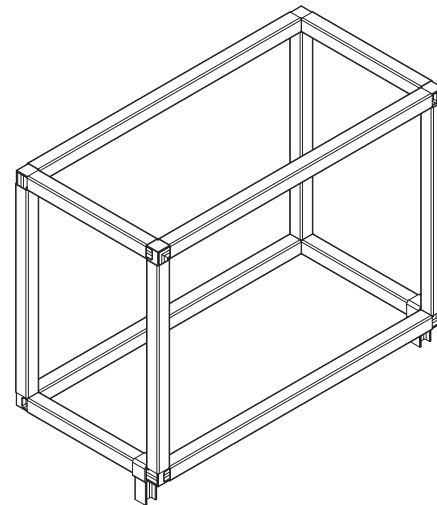
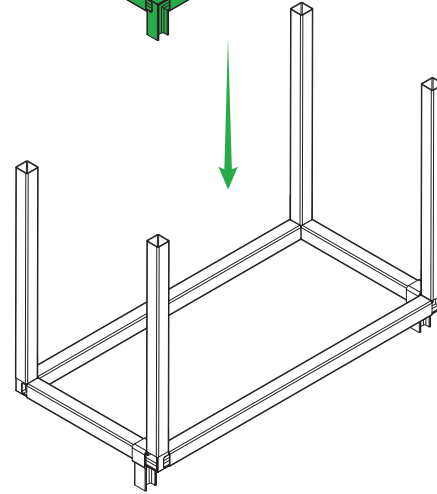
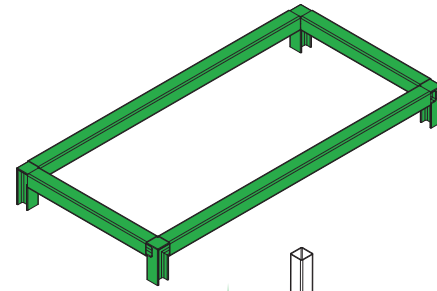


x1
10 MAGNETIC BIT

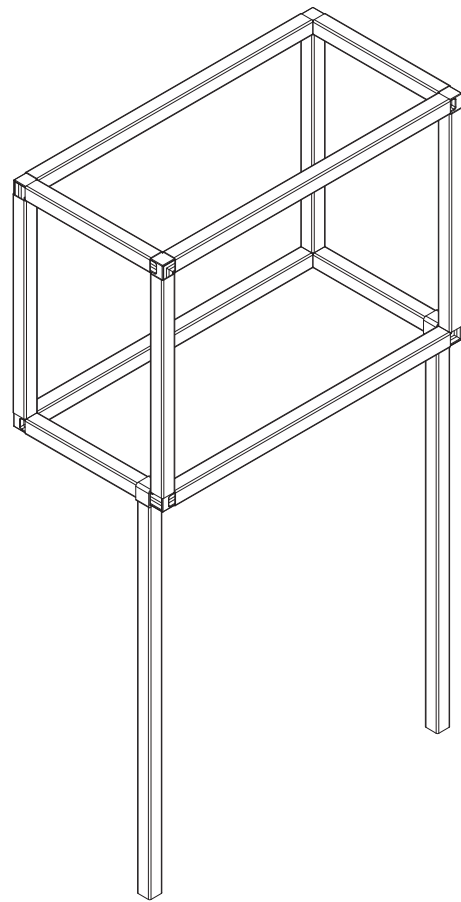
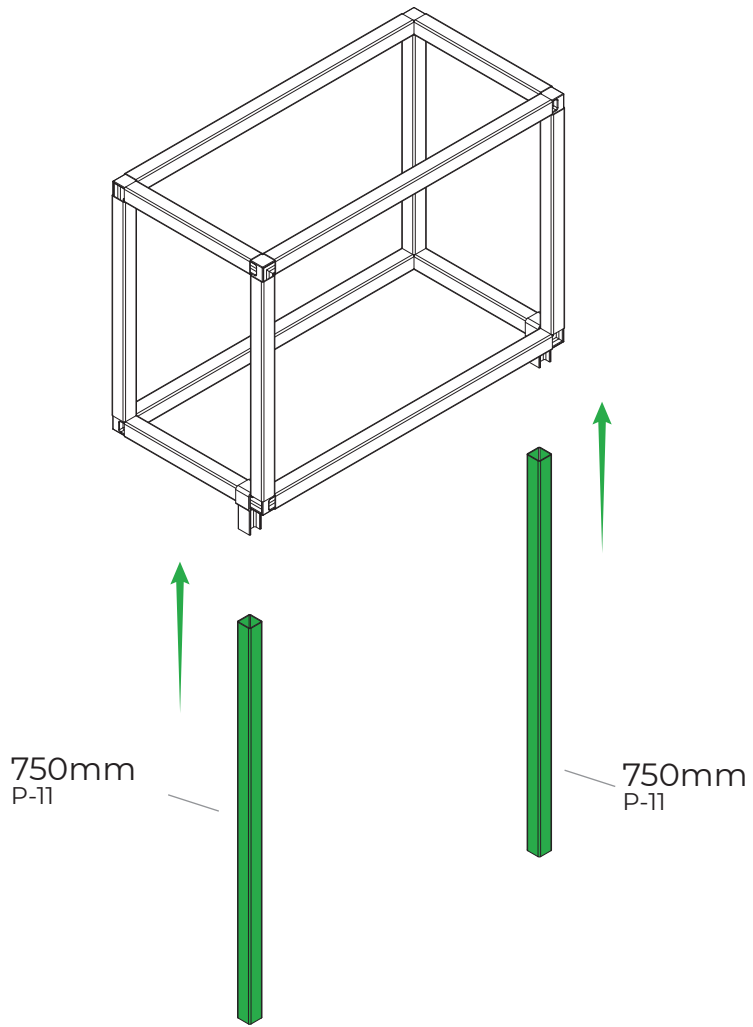
3



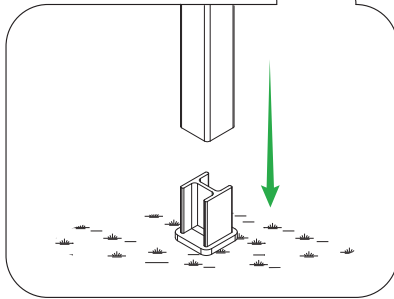
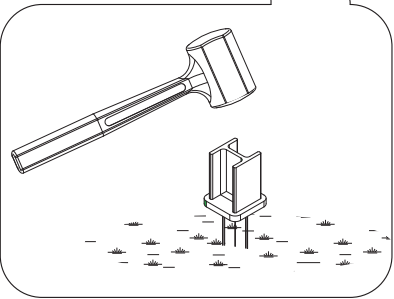
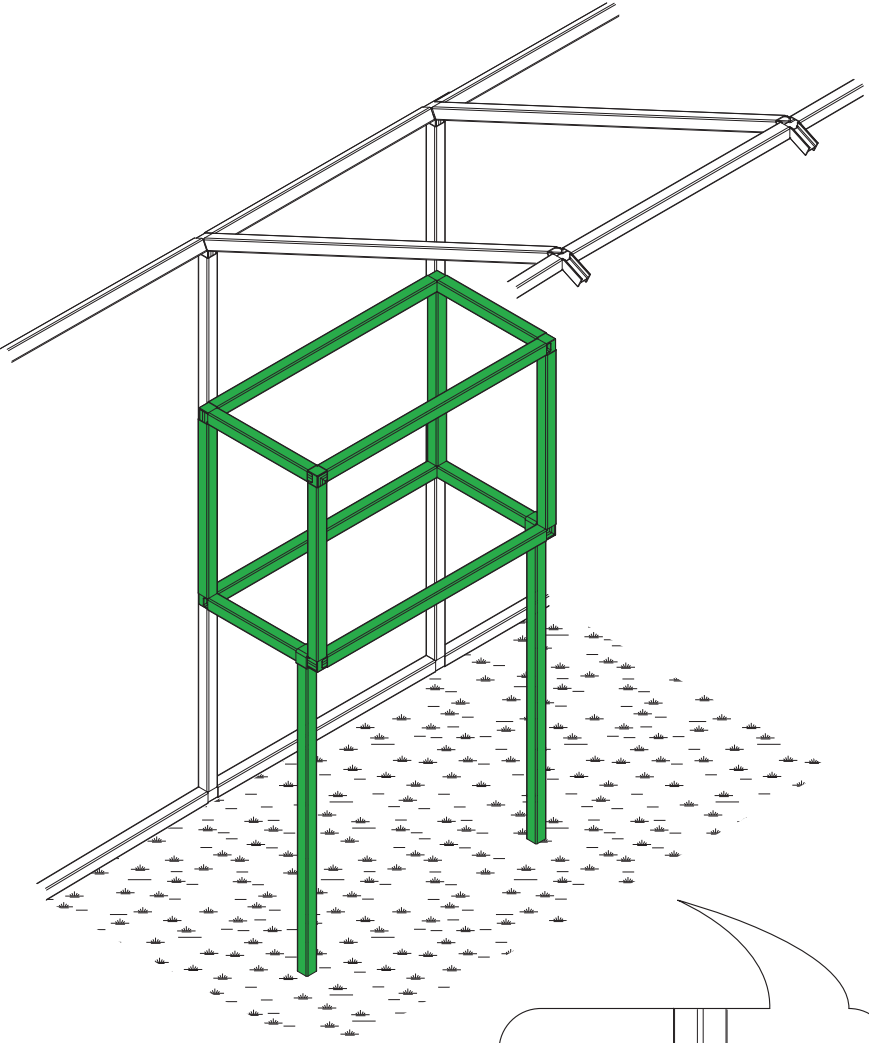
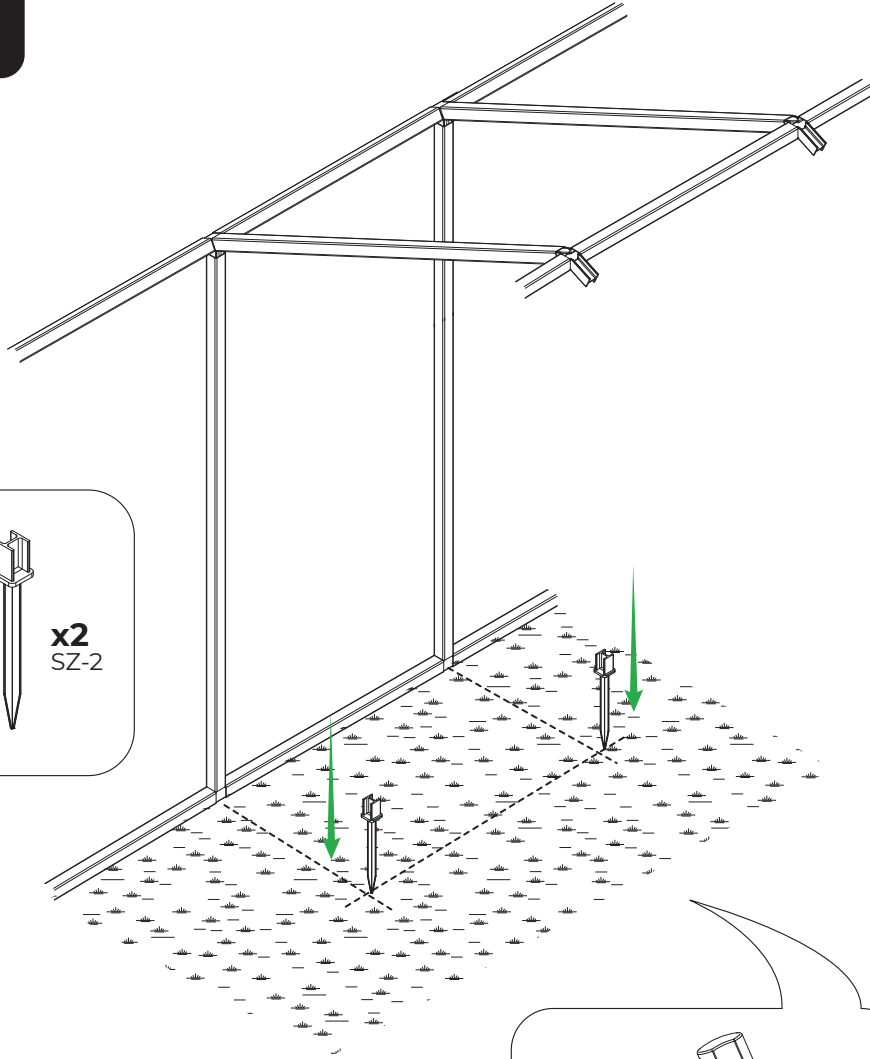
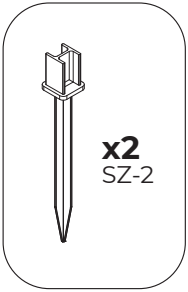
4



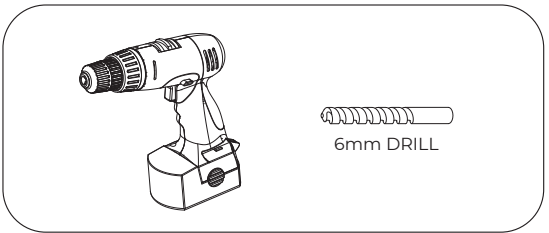
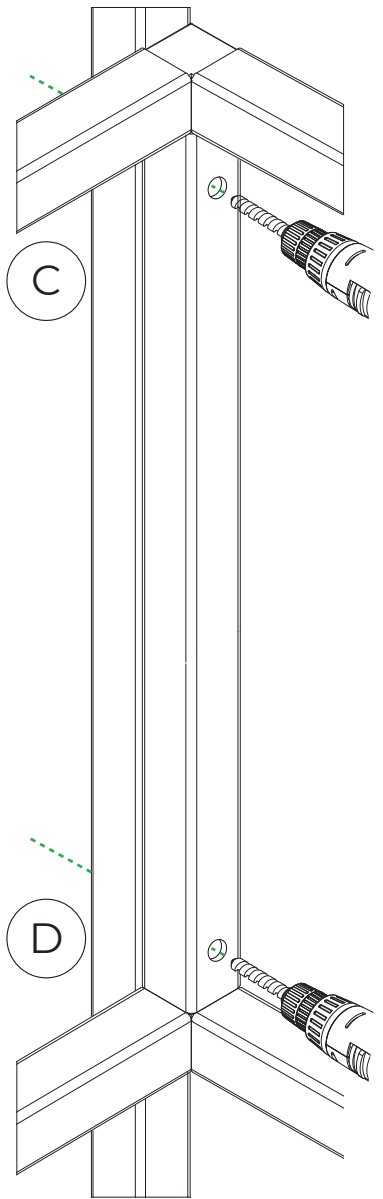
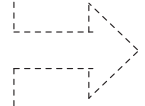
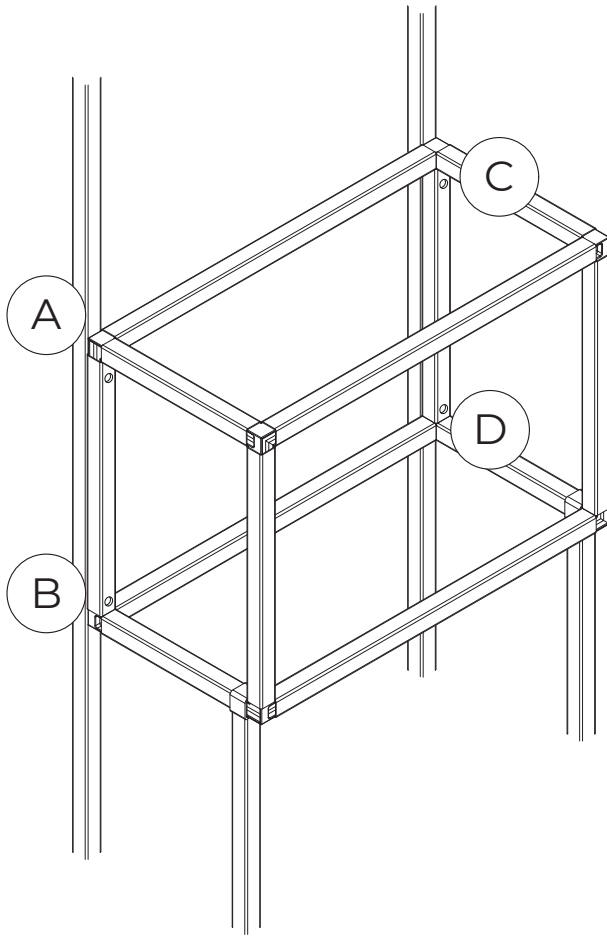
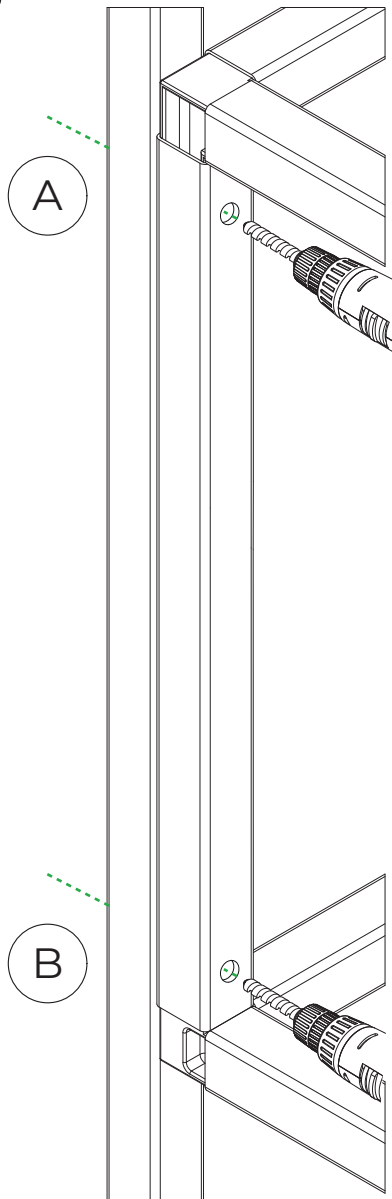
5



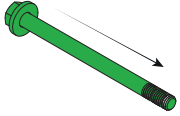
6



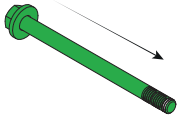
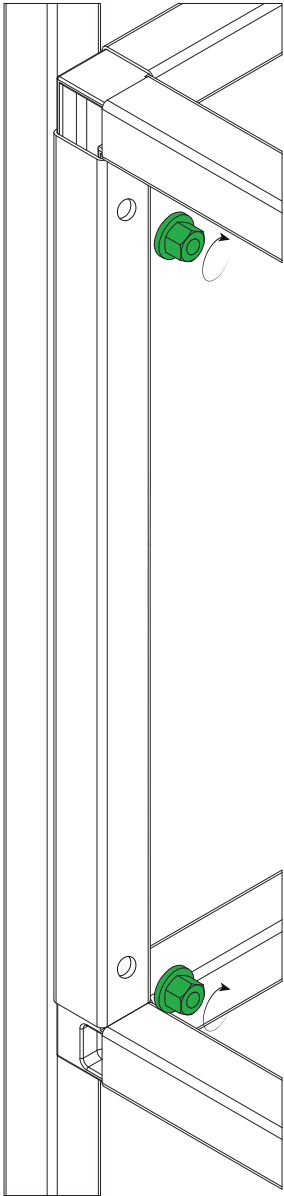
7



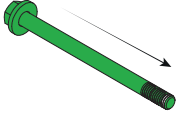
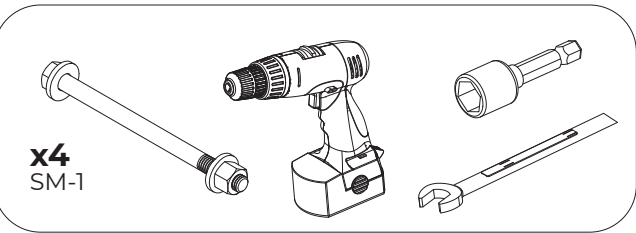
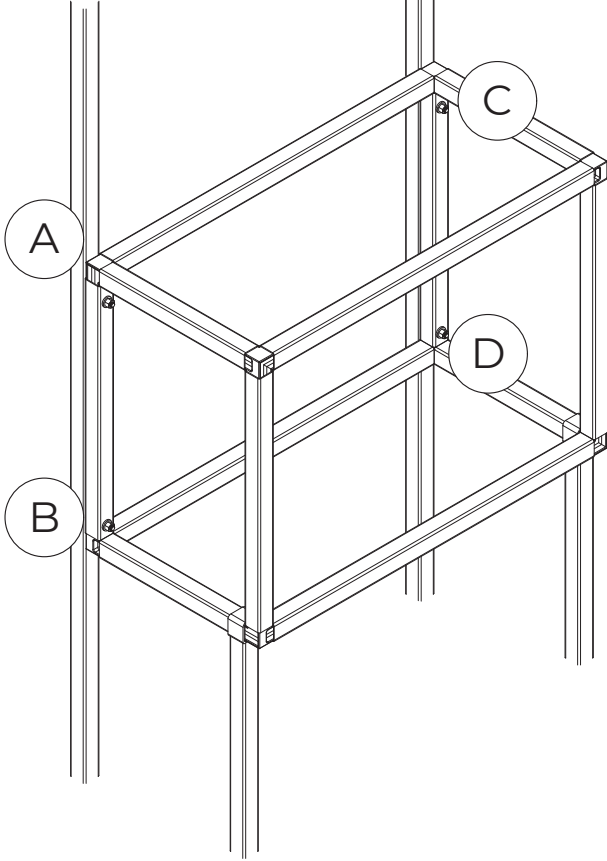
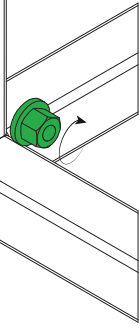
8



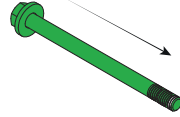
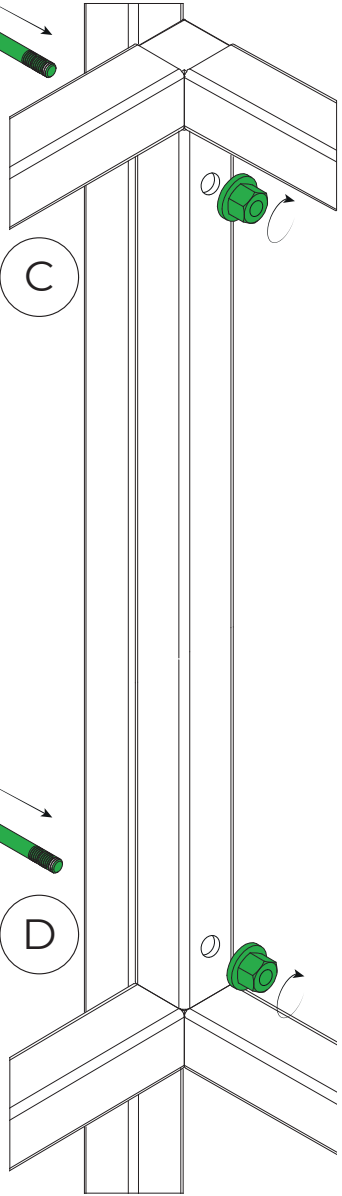
A



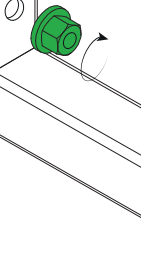
B



C



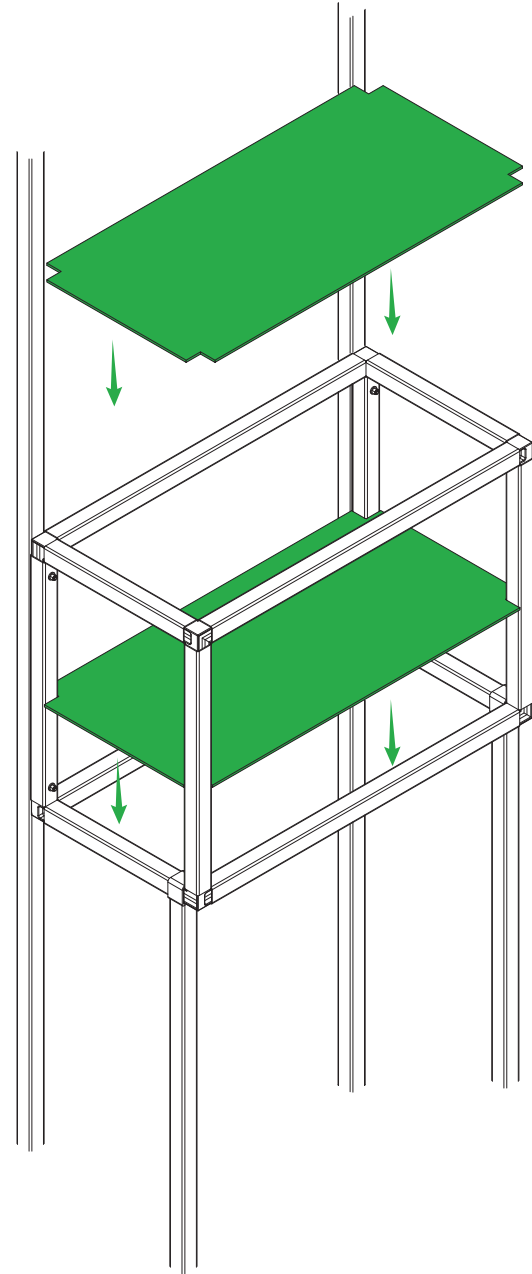
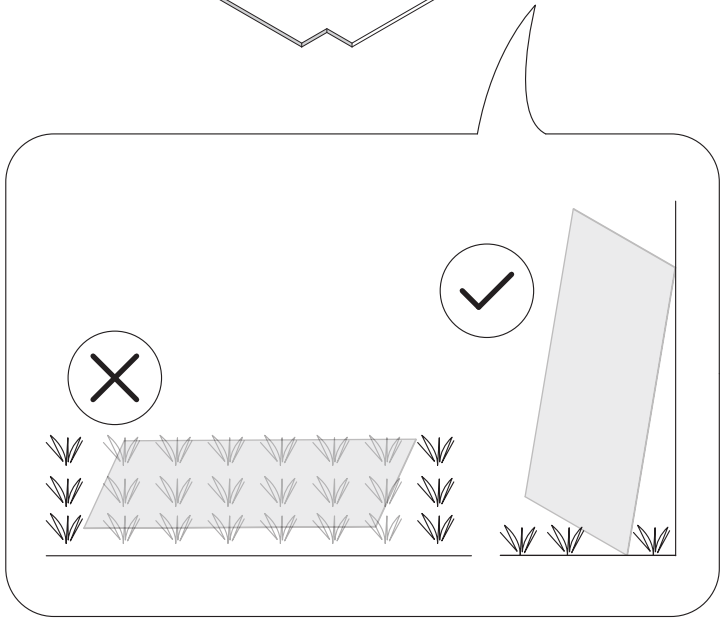
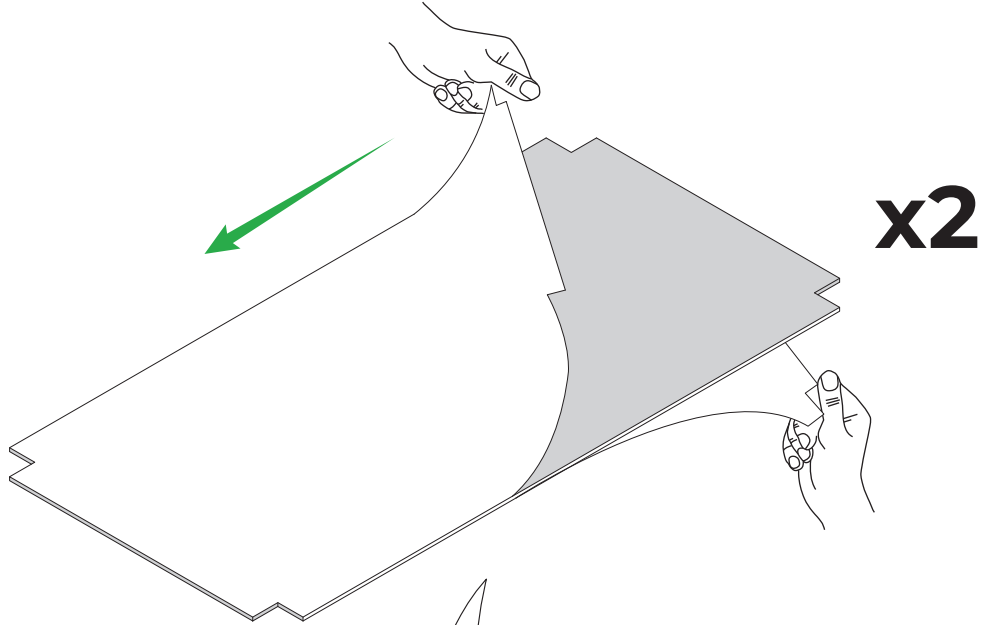
D



9



CAUTION
UV PROTECTIVE COAT ON THE SIDE
MARKED WITH AN OVERPRINTED
TAPE.MOUNT WITH THIS SIDE OUTSIDE!



10

